

## DS-2CD2527G2-LS 2 MP ColorVu Fixed mini Dome Network Camera

# ColorVu



Hikvision ColorVu technology provides 24/7 vivid colorful images with F1.0 advanced lenses and high performance sensors. F1.0 super-aperture collects more light to produce brighter images. Advanced sensor technology can vastly improve the utilization of available light.

- High quality imaging with 2 MP resolution
- Efficient H.265+ compression technology
- Clear imaging against strong back light due to 120 dB WDR technology
- 24/7 colorful imaging
- Focus on human and vehicle classification based on deep learning
- -S: audio and alarm interface available
- Water and dust resistant (IP67) and vandal resistant (IK08)



## ▪ Specification

| Camera                      |  |
|-----------------------------|--|
| Image Sensor                | 1/2.8" Progressive Scan CMOS   |
| Max. Resolution             | 1920 × 1080  |
| Min. Illumination           | Color: 0.0005 Lux @ (F1.0, AGC ON), 0 Lux with white light   |
| Shutter Speed               | 1/3 s to 1/100,000 s   |
| Day & Night                 | 24/7 Color imaging   |
| Angle Adjustment            | Pan: -30° to 30°, tilt: 0° to 75°, rotate: 0° to 360°  |
| Lens                        |  |
| Lens Type                   | Fixed focal lens, 2.8 and 4 mm optional  |
| Focal Length & FOV          | 2.8 mm, horizontal FOV 105°, vertical FOV 57°, diagonal FOV 125°<br>4 mm, horizontal FOV 84°, vertical FOV 46°, diagonal FOV 98°   |
| Lens Mount                  | M12  |
| Iris Type                   | Fixed  |
| Aperture                    | F1.0   |
| Depth of Field              | 2.8 mm: 1.6 m to ∞<br>4 mm: 2.1 m to ∞   |
| DORI                        |  |
| DORI                        | 2.8 mm, D: 47 m, O: 19 m, R: 9 m, I: 5 m<br>4 mm, D: 57 m, O: 22 m, R: 11 m, I: 6 m  |
| Illuminator                 |  |
| Supplement Light Type       | White Light  |
| Supplement Light Range      | Up to 30 m   |
| Smart Supplement Light      | Yes  |
| Video                       |  |
| Main Stream                 | 50 Hz: 25 fps (1920 × 1080, 1280 × 720)<br>60 Hz: 30 fps (1920 × 1080, 1280 × 720)   |
| Sub-Stream                  | 50 Hz: 25 fps (640 × 480, 640 × 360)<br>60 Hz: 30 fps (640 × 480, 640 × 360)   |
| Third Stream                | 50 Hz: 10 fps (1920 × 1080, 1280 × 720, 640 × 480, 640 × 360)<br>60 Hz: 10 fps (1920 × 1080, 1280 × 720, 640 × 480, 640 × 360)<br>*Third stream is supported under certain settings. |
| Video Compression           | Main stream: H.265/H.264/H.265+/H.264+<br>Sub-stream: H.265/H.264/MJPEG<br>Third stream: H.265/H.264<br>*Third stream is supported under certain settings.                           |
| Video Bit Rate              | 32 Kbps to 8 Mbps  |
| H.264 Type                  | Baseline Profile/Main Profile/High Profile   |
| H.265 Type                  | Main Profile   |
| Bit Rate Control            | CBR/VBR  |
| Scalable Video Coding (SVC) | H.264 and H.265 encoding   |
| Region of Interest (ROI)    | 1 fixed region for main stream and sub-stream  |
| Audio                       |  |
| Environment Noise Filtering | Yes  |

|                          |   |
|--------------------------|---|
| Audio Sampling Rate      | 8 kHz/16 kHz/32 kHz/44.1 kHz/48 kHz   |
| Audio Compression        | G.711ulaw/G.711alaw/G.722.1/G.726/MP2L2/PCM/MP3/AAC   |
| Audio Bit Rate           | 64 Kbps (G.711ulaw/G.711alaw)/16 Kbps (G.722.1)/16 Kbps (G.726)/32 to 192 Kbps (MP2L2)/8 to 320 Kbps (MP3)/16 to 64 Kbps (AAC)  |
| <b>Network</b>           |   |
| Simultaneous Live View   | Up to 6 channels  |
| API                      | Open Network Video Interface (PROFILE S, PROFILE G, PROFILE T), ISAPI, SDK  |
| Protocols                | TCP/IP, ICMP, HTTP, HTTPS, FTP, DHCP, DNS, DDNS, RTP, RTSP, NTP, UPnP, SMTP, IGMP, 802.1X, QoS, IPv4, IPv6, UDP, Bonjour, SSL/TLS, PPPoE, SNMP, ARP   |
| User/Host                | Up to 32 users. 3 user levels: administrator, operator and user   |
| Security                 | Password protection, complicated password, HTTPS encryption, IP address filter, Security Audit Log, basic and digest authentication for HTTP/HTTPS, TLS 1.1/1.2, WSSE and digest authentication for Open Network Video Interface  |
| Network Storage          | NAS (NFS, SMB/CIFS), auto network replenishment (ANR)<br>Together with high-end Hikvision memory card, memory card encryption and health detection are supported  |
| Client                   | iVMS-4200, Hik-Connect, Hik-Central   |
| Web Browser              | Plug-in required live view: IE 10+<br>Plug-in free live view: Chrome 57.0+, Firefox 52.0+<br>Local service: Chrome 57.0+, Firefox 52.0+   |
| <b>Image</b>             |   |
| Wide Dynamic Range (WDR) | 120 dB  |
| SNR                      | ≥ 52 dB   |
| Day/Night Switch         | Day, Night, Auto, Schedule  |
| Image Enhancement        | BLC, HLC, 3D DNR  |
| Image Parameters Switch  | Yes   |
| Image Settings           | Rotate, saturation, brightness, contrast, sharpness, gain, white balance adjustable by client software or web browser   |
| <b>Interface</b>         |   |
| Ethernet Interface       | 1 RJ45 10 M/100 M self-adaptive Ethernet port   |
| On-Board Storage         | Built-in memory card slot, support microSD card, up to 256 GB   |
| Built-in Microphone      | Yes   |
| Audio                    | -LS:<br>1 input (line in), two-core terminal block, max. input amplitude: 3.3 Vpp, input impedance: 4.7 KΩ, interface type: non-equilibrium<br>1 output (line out), two-core terminal block, max. output amplitude: 3.3 Vpp, output impedance: 100 Ω, interface type: non-equilibrium |
| Alarm                    | -LS:<br>1 input, 1 output (max. 12 VDC, 20 mA)  |
| Reset Key                | Yes   |
| <b>Event</b>             |   |
| Basic Event              | Motion detection (human and vehicle targets classification), video tampering alarm, exception   |
| Linkage                  | Upload to FTP/NAS/memory card, notify surveillance center, trigger recording, trigger capture, send email   |

|                                  |   |
|----------------------------------|---|
| Smart Event                      | Line crossing detection, intrusion detection, region entrance detection, region exiting detection<br>Scene change detection   |
| <b>Deep Learning Function</b>    |   |
| Face Capture                     | Yes   |
| Perimeter Protection             | Line crossing, intrusion, region entrance, region exiting<br>Support alarm triggering by specified target types (human and vehicle)   |
| <b>General</b>                   |   |
| Power                            | 12 VDC $\pm$ 25%, $\varnothing$ 5.5 mm coaxial power plug, reverse polarity protection, 0.54 A, max. 6.5 W<br>PoE: 802.3af, Class 3, 36 V to 57 V, 0.22 A to 0.14 A, max. 8 W   |
| Camera Material                  | Base: aluminum, cover: plastic  |
| Camera Dimension                 | $\varnothing$ 110 mm $\times$ 57.4 mm ( $\varnothing$ 4.3" $\times$ 2.3")   |
| Package Dimension                | 134 mm $\times$ 134 mm $\times$ 108 mm (5.3" $\times$ 5.3" $\times$ 4.3")   |
| Camera Weight                    | Approx. 375 g (0.8 lb.)   |
| With Package Weight              | Approx. 620 g (1.4 lb.)   |
| Storage Conditions               | -30 °C to 60 °C (-22 °F to 140 °F). Humidity 95% or less (non-condensing)   |
| Startup and Operating Conditions | -30 °C to 60 °C (-22 °F to 140 °F). Humidity 95% or less (non-condensing)   |
| Language                         | 33 languages: English, Russian, Estonian, Bulgarian, Hungarian, Greek, German, Italian, Czech, Slovak, French, Polish, Dutch, Portuguese, Spanish, Romanian, Danish, Swedish, Norwegian, Finnish, Croatian, Slovenian, Serbian, Turkish, Korean, Traditional Chinese, Thai, Vietnamese, Japanese, Latvian, Lithuanian, Portuguese (Brazil), Ukrainian |
| General Function                 | Anti-flicker, heartbeat, mirror, privacy mask, flash log, password reset via email, pixel counter   |
| <b>Approval</b>                  |   |
| EMC                              | FCC (47 CFR Part 15, Subpart B)<br>CE-EMC (EN 55032: 2015, EN 61000-3-2: 2019, EN 61000-3-3: 2013+A1: 2019, EN 50130-4: 2011+A1: 2014)<br>IC (ICES-003: Issue 7)<br>KC (KN32: 2015, KN35: 2015)   |
| Safety                           | UL (UL 62368-1)<br>CB (IEC 62368-1: 2014+A11)<br>CE-LVD (EN 62368-1: 2014/A11: 2017)<br>LOA (IEC/EN 60950-1)  |
| Environment                      | CE-RoHS (2011/65/EU)<br>WEEE (2012/19/EU)<br>Reach (Regulation (EC) No 1907/2006)   |
| Electrical Safety Protection     | IP67 (IEC 60529-2013)<br>IK8 (IEC 62262:2002)   |

#### ▪ Available Model

DS-2CD2527G2-LS (2.8/4 mm)

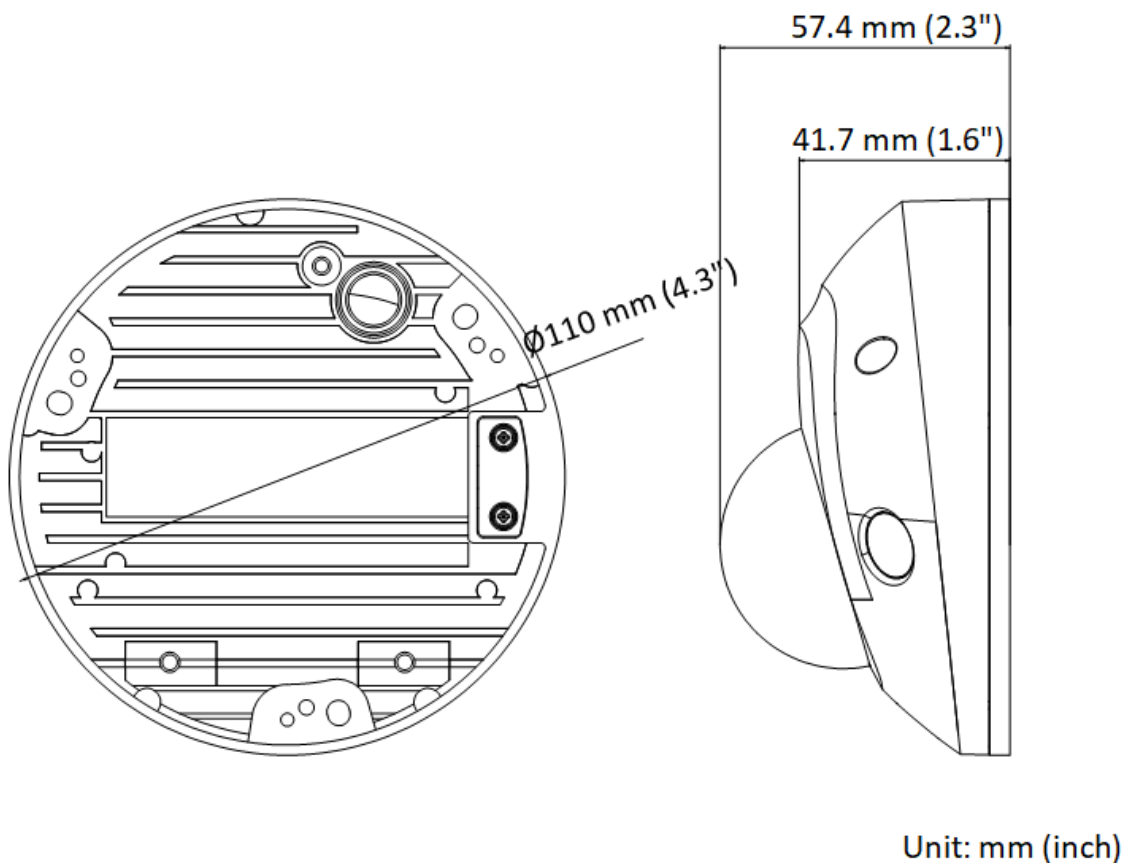
#### ▪ Typical Application

Hikvision products are classified into three levels according to their anti-corrosion performance. Refer to the following description to choose for your using environment.

This model has NO SPECIFIC PROTECTION.

| Level                  | Description  |
|------------------------|--|
| Top-level protection   | Hikvision products at this level are equipped for use in areas where professional anti-corrosion protection is a must. Typical application scenarios include coastlines, docks, chemical plants, and more.   |
| Moderate protection    | Hikvision products at this level are equipped for use in areas with moderate anti-corrosion demands. Typical application scenarios include coastal areas about 2 kilometers (1.24 miles) away from coastlines, as well as areas affected by acid rain. |
| No specific protection | Hikvision products at this level are equipped for use in areas where no specific anti-corrosion protection is needed.  |

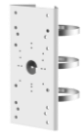
## ▪ Dimension



## ▪ Accessory

### ▪ Optional

|               |                     |                |                |               |
|---------------|---------------------|----------------|----------------|---------------|
| DS-1272ZJ-120 | DS-1275ZJ-SUS       | DS-1280ZJ-DM46 | DS-1272ZJ-120B | DS-1276ZJ-SUS |
| Wall mount    | Vertical pole mount | Junction box   | Wall mount     | Corner mount  |



**DS-1271ZJ-120**

**Pendant Mount**



Distributed by

**HIKVISION®****Headquarters**

No.555 Qianmo Road, Binjiang District,  
Hangzhou 310051, China  
T +86-571-8807-5998  
overseasbusiness@hikvision.com

**Hikvision USA**  
T +1-909-895-0400  
sales.usa@hikvision.com

**Hikvision Australia**  
T +61-2-8599-4233  
salesau@hikvision.com

**Hikvision India**  
T +91-22-28469900  
sales@pramahikvision.com

**Hikvision Canada**  
T +1-866-200-6690  
sales.canada@hikvision.com

**Hikvision Thailand**  
T +662-275-9949  
sales.thailand@hikvision.com

**Hikvision Europe**  
T +31-23-5542770  
sales.eu@hikvision.com

**Hikvision Italy**  
T +39-0438-6902  
info.it@hikvision.com

**Hikvision Brazil**  
T +55 11 3318-0050  
Latam.support@hikvision.com

**Hikvision Turkey**  
T +90 (216)521 7070- 7074  
sales.tr@hikvision.com

**Hikvision Malaysia**  
T +601-7652-2413  
sales.my@hikvision.com

**Hikvision UK & Ireland**  
T +01628-902140  
sales.uk@hikvision.com

**Hikvision South Africa**  
Tel: +27 (10) 0351172  
sale.africa@hikvision.com

**Hikvision France**  
T +33(0)1-85-330-450  
info.fr@hikvision.com

**Hikvision Kazakhstan**  
T +7-727-9730667  
nikia.panfilov@hikvision.ru

**Hikvision Vietnam**  
T +84-974270888  
sales.vt@hikvision.com

**Hikvision UAE**  
T +971-4-4432090  
salesme@hikvision.com

**Hikvision Singapore**  
T +65-6684-4718  
sg@hikvision.com

**Hikvision Spain**  
T +34-91-737-16-55  
info.es@hikvision.com

**Hikvision Tashkent**  
T +99-87-1238-9438  
uzb@hikvision.ru

**Hikvision Hong Kong**  
T +852-2151-1761  
info.hk@hikvision.com

**Hikvision Russia**  
T +7-495-669-67-99  
saleru@hikvision.com

**Hikvision Korea**  
T +82-(0)31-731-8817  
sales.korea@hikvision.com

**Hikvision Poland**  
T +48-22-460-01-50  
info.pl@hikvision.com

**Hikvision Indonesia**  
T +62-21-2933759  
Sales.Indonesia@hikvision.com

**Hikvision Colombia**  
sales.colombia@hikvision.com